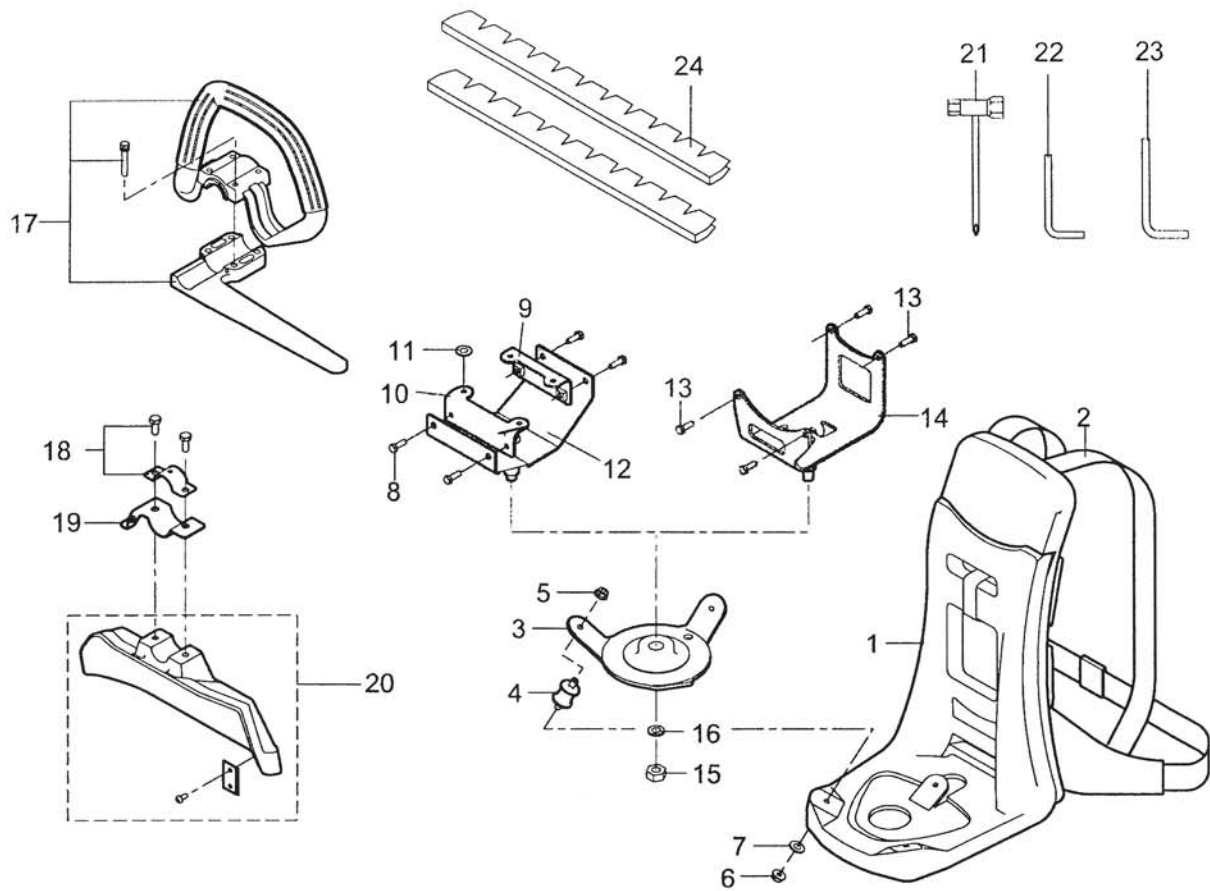


# VRS441 (TL50/52, TH43/48)

## Frame and Fittings

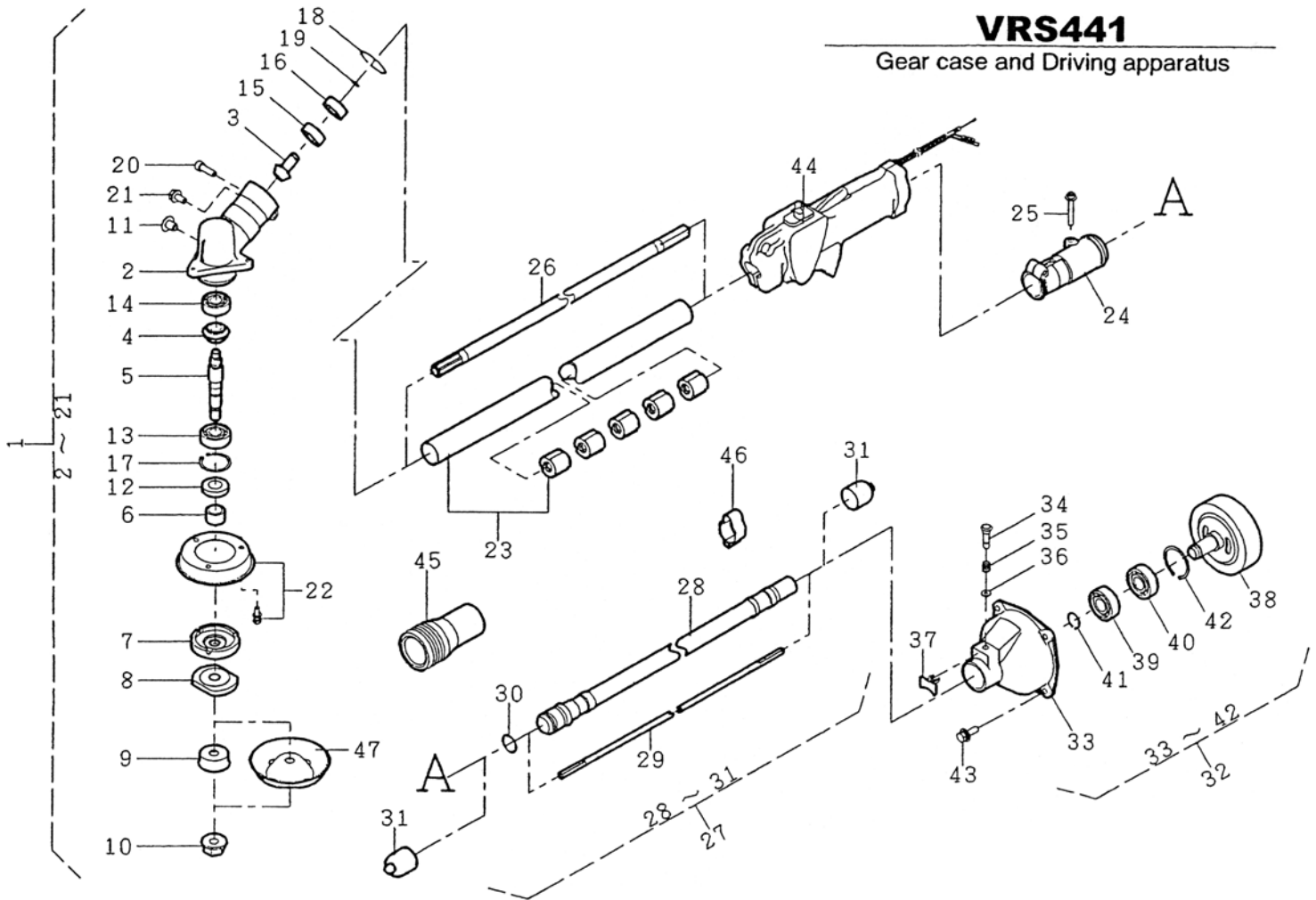


46012-156 '04.10.06 2 / 2

REF. No.	PARTS Lv.	PARTS NO.		PARTS NAME	Q'TY		REMARKS
					TL	TH	
1	1	36122	122	KNAPSACK FRAME	1	1	
2	1	91027	135	KNAPSACK PAD	1	1	
3	1	11121	106	09 SUPPORT C.P.	1	1	
4	1	36005	167	RUBBER	3	3	
5	1	571L	0600	FLANGE NUT	3	3	M6
6	1	561L	0600	U-HEXAGON NUT	3	3	M6
7	1	38036	125	WASHER	3	3	
8	1	318L	0612	(+)HEXAGON BOLT (W/SW)		4	M6 × 12
9	1	11113	360	STAY		1	
10	1	11113	359	STAY		1	
11	1	68036	158	WASHER		4	
12	1	71223	142	SUPPORT ASS'Y		1	
13	1	31057	139	HEXAGON BOLT	4		
14	1	11020	132	ENGINE SUPPORT	1		
15	1	513L	1000	HEXAGON NUT	1	1	M10
16	1	661L	1000	SPRING LOCK WASHER	1	1	M10
17	1	71304	102	SINGLE HANDLE SET	1	1	
18	1	71038	172	SAFETY GUARD BAND SET	1	1	
19	1	11029	139	SAFETY GUARD BAND	1	1	
20	1	71303	103	SAFRTY GUARD SET	1	1	
21	1	66006	117	BOX SPANNER	1	1	17 × 19
22	1	66007	103	L WRENCH	1	1	4
23	1	66007	104	L WRENCH	1	1	5
24	1	36044	107	BLADE COVER	1	1	

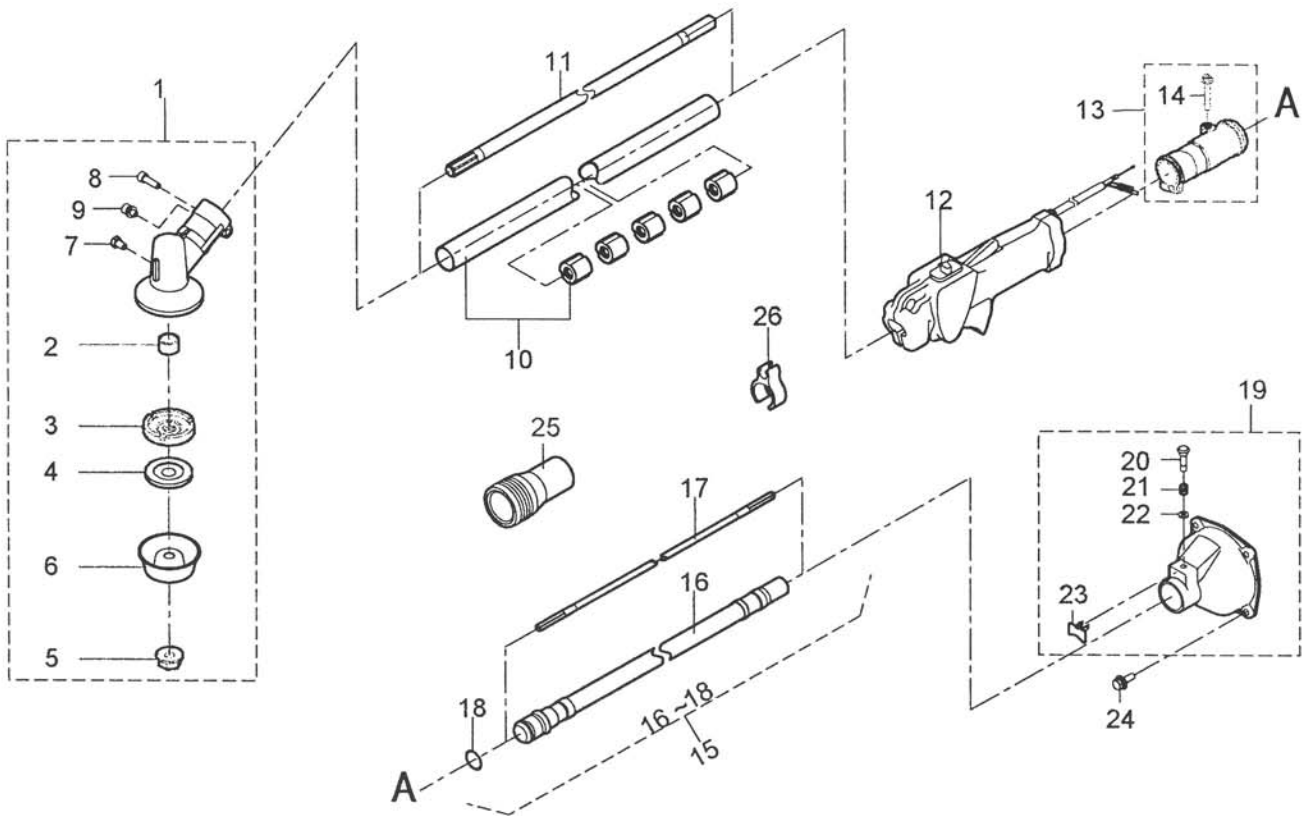
# VRS441

## Gear case and Driving apparatus



REF. NO.	PARTS NO.	PARTS NAME	Q'TY INCLUDING	May. 2000	1/4
				RECOMM. (%)	REMARKS
1	71008 294	GEAR CASE ASS'Y	1		
2	51001 221	GEAR CASE	1	3	
3	78002 130	BEVEL PINION	1	5	
4	78001 102	BEVEL GEAR	1	5	
5	64001 144	SPLINE SHAFT	1	8	
6	61001 119	SPLINE SLEEVE	1	10	
7	11001 150	HOLDER(A)	1	10	
8	11002 126	HOLDER(B)	1	10	
9	36068 125	GUARD	1	12	
10	31001 106	SAW LOCK NUT	1	15	
11	377L 0810	(+)BINDING SCREW M8 × 10	1	3	
12	61002 128	OIL SEAL TC17x32x8	1	-	
13	919B 6201	BEARING 6201C3	1	4	
14	913B 0629	BEARING 629	1	4	
15	913B 6000	BEARING 6000	1	4	
16	912B 6000	BEARING 6000ZZ	1	4	
17	811V 3200	C-SNAP RING φ 32	1	5	
18	811V 2600	C-SNAP RING φ 26	1	5	
19	812V 1000	C-SNAP RING φ 10	1	5	
20	419U 0630	SOCKET SCREW M6 × 20	1	3	
21	335M 0512	FLANGE BOLT M5 × 12	1	3	
22	71001 117	GRASS COVER SET	1	4	
23	71130 135	MAIN PIPE C.P.	1	3	
24	71077 114	FLEX. CONNECTOR ASS'Y	1	5	
25	423U 0535	SOCKET SCREW FLANGE M5 × 35	1	3	

**VRS441**(TL50/52,TH43/48)  
Gear case and Driving apparatus

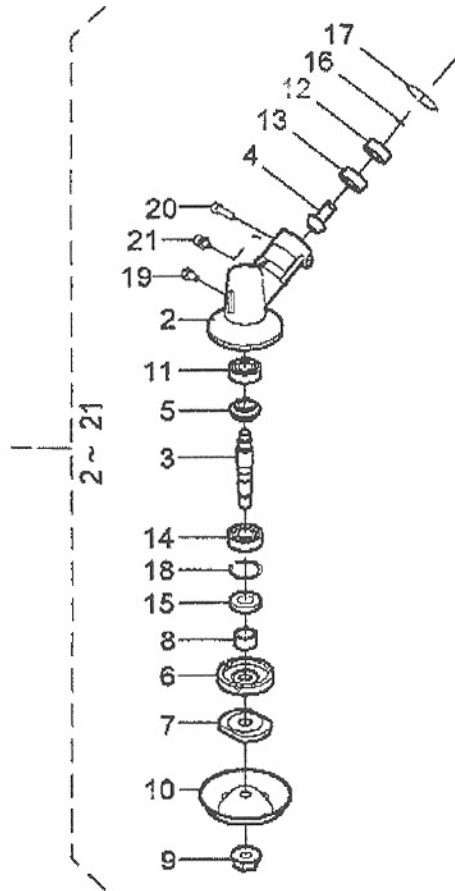


46012-156 '04.10.06 1 / 2

REF. No.	PARTS Lv.	PARTS NO.		PARTS NAME	Q'TY		REMARKS
					TL	TH	
1	1	71008	320	GEAR CASE ASS'Y	1	1	
2	2	61001	119	SPLINE SLEEVE	1	1	
3	2	11001	150	HOLDER(A)	1	1	
4	2	11002	126	HOLDER(B)	1	1	
5	2	31001	106	SAW LOCK NUT	1	1	
6	2	11027	119	STABILIZER	1	1	
7	2	322N	0810	(+)HEXAGON BOLT	1	1	M8 × 10
8	2	412N	0620	SOCKET SCREW	1	1	M6 × 20
9	2	413N	0515	SOCKET SCREW(WSW)	1	1	M5 × 15
10	1	71130	181	MAIN PIPE C.P.	1	1	
11	1	64011	231	MAIN SHAFT	1	1	
12	1	71056	219	THROTTLE LEVER ASS'Y	1	1	
13	1	71077	122	FLEX. CONNECTOP ASS'Y	1	1	
14	2	423N	0535	SOCKET SCREW FLANGE	1	1	M5 × 35
15	1	71015	176	FLEX.ASS'Y	1	1	
16	2	64007	156	FLEX. CASE C.P.	1	1	
17	2	64021	135	FLEX. SHAFT	1	1	
18	2	217B	2500	O-RING	1	1	
19	1	71010	230	CLUTCH CASE ASS'Y	1	1	
20	2	31034	143	PIN	1	1	
21	2	68013	135	SPRING	1	1	
22	2	828V	0400	U-SNAP RING	1	1	
23	2	36065	254	COVER	1	1	φ4
24	1	416N	0620	SOCKET SCREW (W/SW,PW)	4	4	
25	1	36014	102	PROTECTION RUBBER	1	1	M6 × 20
26	1	51002	112	WIRE HOLDER	2	2	

**GEAR CASE ASS'Y**  
71008-320

3/9



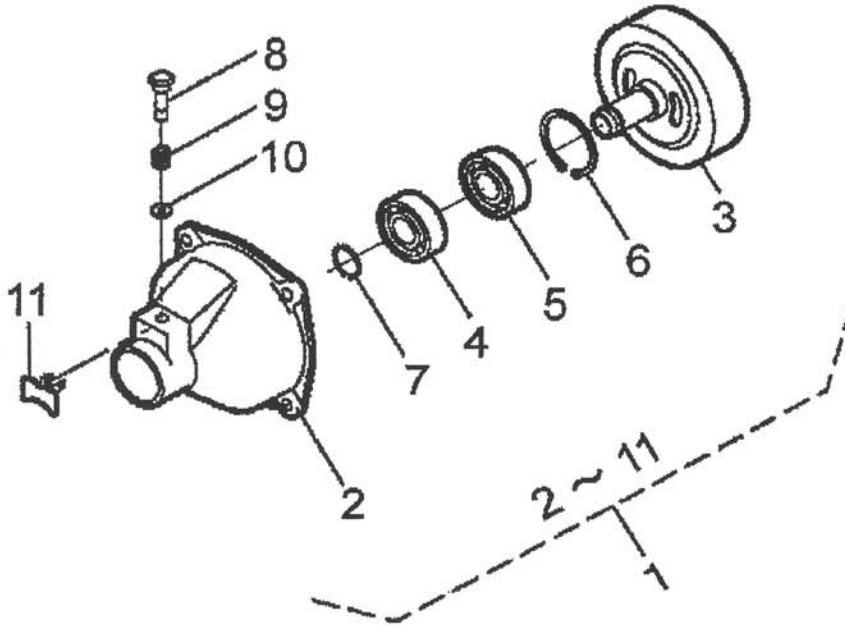
46014-107

REF. NO.	PARTS NO.	PARTS NAME	Q'TY		REMARKS
				INCLUDING	
1	71008-320	GEAR CASE ASS'Y	1		φ 26
2	51001-267	GEAR CASE		1	
3	64001-144	SPLINE SHAFT		1	
4	78002-174	BEVEL PINION		1	
5	78001-150	BEVEL GEAR		1	
6	11001-150	HOLDER(A)		1	
7	11002-126	HOLDER(B)		1	
8	61001-119	SPLINE SLEEVE		1	
9	31001-106	SAW LOCK NUT		1	
10	11027-119	STABILIZER		1	
11	913B0629	BEARING		1	
12	912B6000	BEARING		1	
13	913B6000	BEARING		1	
14	919B6201	BEARING		1	
15	61002-128	OIL SEAL		1	
16	812V1000	C-SNAP RING		1	
17	811V2600	C-SNAP RING		1	
18	811V3200	C-SNAP RING		1	
19	322N0810	(+)HEXAGON BOLT		1	
20	412N0620	SOCKET SCREW		1	
21	413N0515	SOCKET SCREW(W/SW)		1	
22					
23					
24					
25					

\*

**CLUTCH CASE ASS'Y**  
71010-230

5/9



REF. NO.	PARTS NO.	PARTS NAME	Q'TY			REMARKS
				INCLUDING		
1	71010-230	CLUTCH CASE ASS'Y	1			
2	51030-181	CLUTCH CASE		1		
3	11014-176	CLUTCH DRUM C.P.		1		
4	917B6202	BEARING		1		
5	916B6202	BEARING		1		
6	811V3500	C-SNAP RING		1		
7	812V1500	C-SNAP RING		1		
8	31034-143	PIN		1		
9	68013-135	SPRING		1		
10	828V0400	U-SNAP RING		1		
11	38065-254	COVER		1		
12						
13						
14						
15						
16						
17						
18						
19						
20						
21						
22						
23						
24						
25						

\*